

High Voltage Bias Tee BT-2A-2000V-1K100K-1G6G

Advanced TLP/HMM/HBM Solutions

1 Features

- 2 kV, 2 A high voltage bias tee
- DC – 100 kHz bandwidth at DC port
- 1 GHz to 6 GHz bandwidth at RF ports
- 0.08 Ω DC resistance (port 3 to port 2)
- SMA 50 Ω RF input and SMA 50 Ω DC/RF output
- BNC DC input
- Size: 130.6 mm x 77.6 mm x 31 mm
- Lab safety requirement: interlock operation above an operation voltage of 40V needed to avoid life-endangerment risks.



2 Specifications

Nominal impedance	50 Ω
Maximum working voltage DC, RF ¹⁾	±2 kV
DC port bandwidth ²⁾	DC – 100 kHz
DC resistance port 3 to port 2	80 mΩ
Maximum current ³⁾ port 3	2 A
RF port bandwidth ⁴⁾	1 – 6 GHz
RF power ⁵⁾	100 W

¹⁾ DC or RF + DC must not exceed ±2 kV. Cleaned and 1 N m fixed SMA connectors are required. The built-in capacitor has 3 kV rating. The upper limit is mainly defined by the breakdown voltage of the SMA interface and internal construction distance.

²⁾ –35 dB reflection suppression at port 3

³⁾ DC or AC peak value

⁴⁾ –1 dB insertion loss port 1 to port 2

⁵⁾ mainly limited by the SMA interface

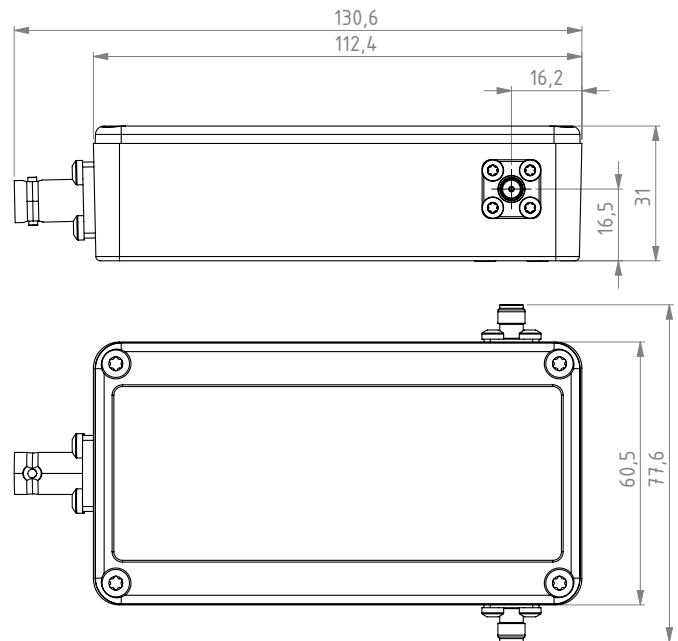


Figure 2: Physical dimensions [mm]

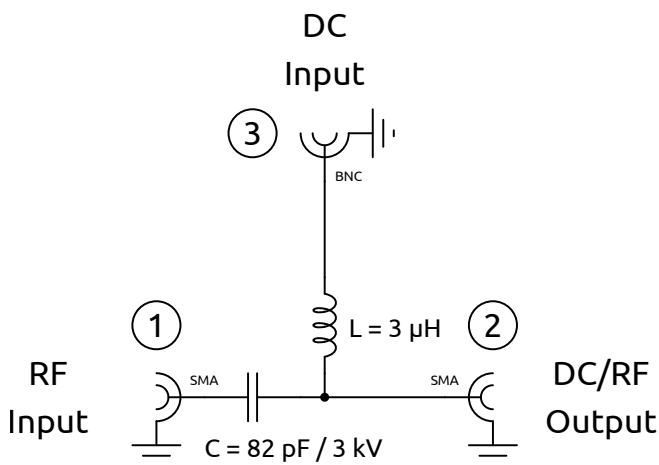


Figure 1: Schematic diagram

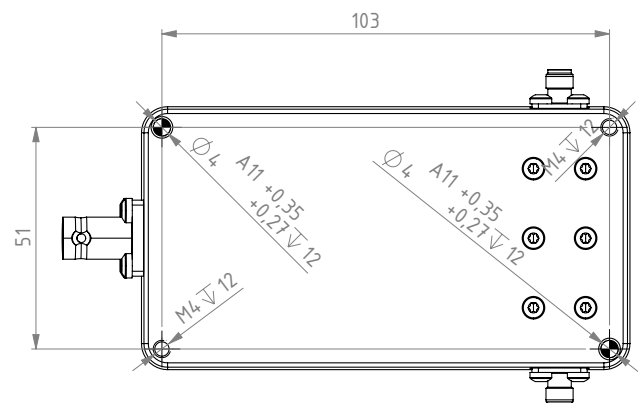
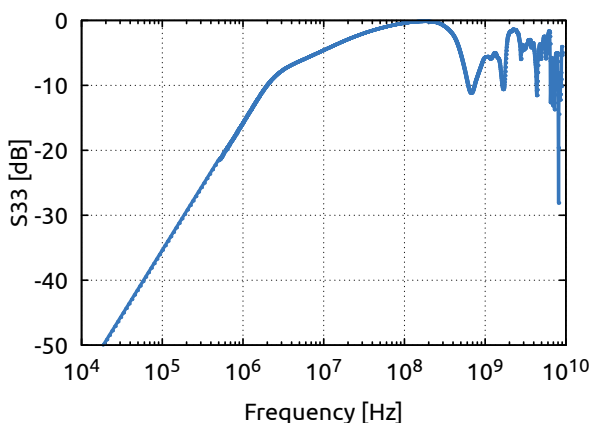
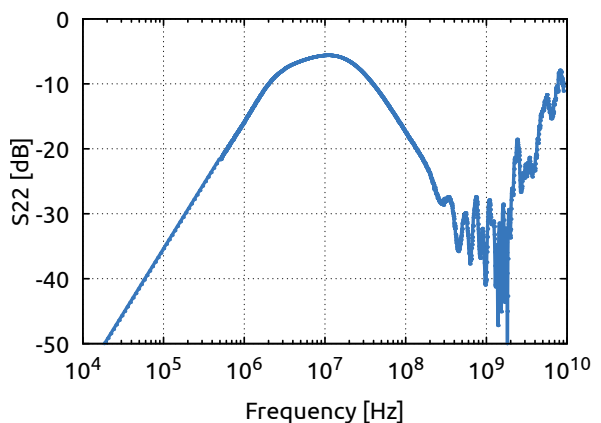
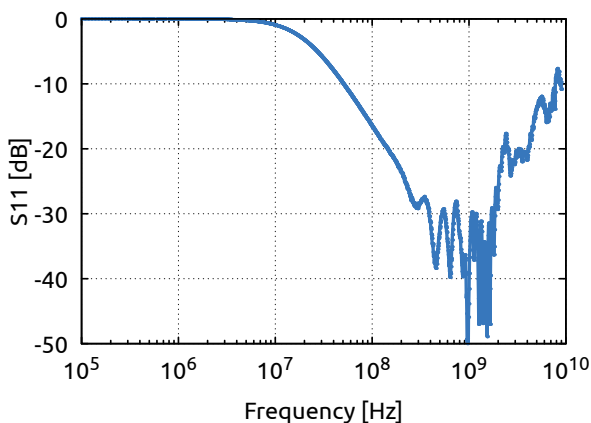
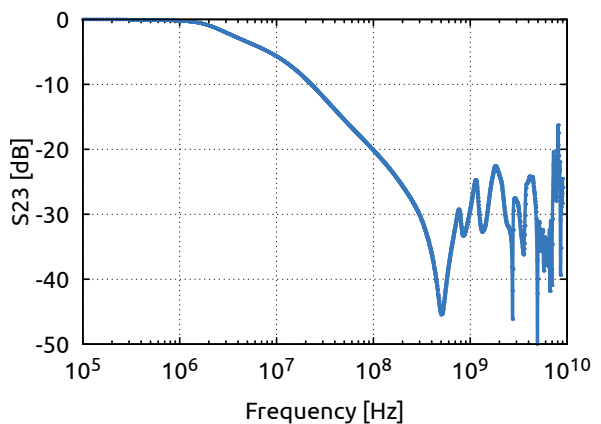
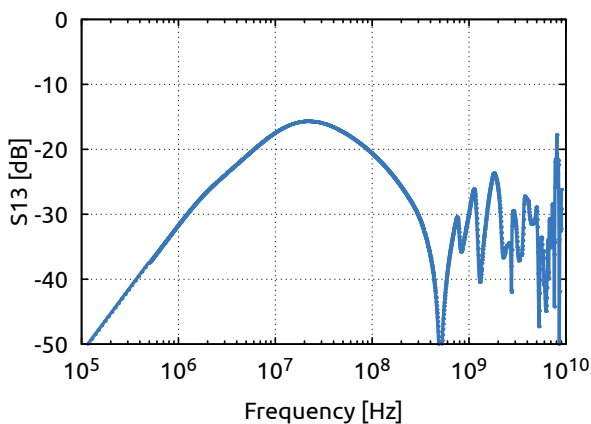
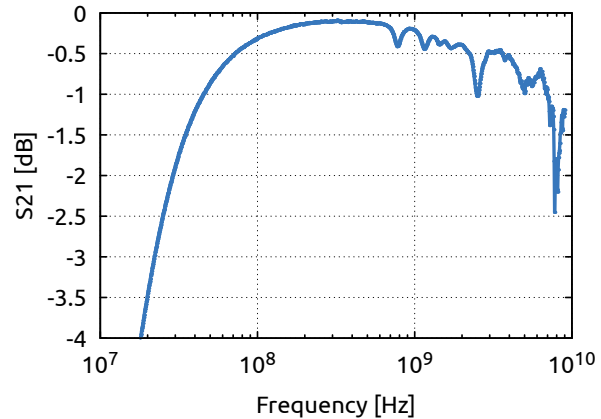
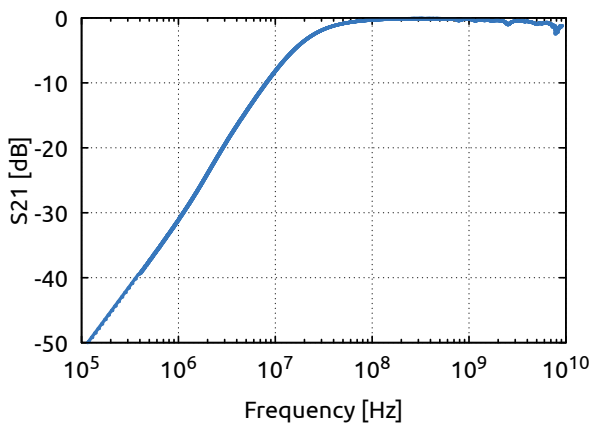


Figure 3: Bottom side fixation threads and dowel holes [mm]

High Voltage Bias Tee BT-2A-2000V-1K100K-1G6G

Advanced TLP/HMM/HBM Solutions



3 Ordering Information

Pos.	Description	Part No.
01	High Voltage Bias Tee	BT-2A-2000V-1K100K-1G6G

General

The product data contained in this data-sheet is exclusively intended for technically trained staff. You and your technical departments will have to evaluate the suitability of the product for the intended application and the completeness of the product data with respect to such application. Our products are solely intended to be commercially used internally and should not be sold to consumers. This data-sheet is describing the specifications of our products for which a warranty is being granted by HPPI GmbH. Any such warranty is granted exclusively pursuant to the terms and conditions of the respective supply agreement. There will be no guarantee of any kind for the product and its specifications. For further information on technology, specific applications of our product, delivery terms, conditions and prices please contact HPPI:

High Power Pulse Instruments GmbH
 Stadlerstrasse 6A
 D-85540 Haar, Germany
 Phone : +49 (0)89 8780698 - 440
 Fax : +49 (0)89 8780698 - 444
 E-Mail : info@hppi.de

Due to technical requirements our products and/or their application may be harmful. For information please read carefully the manual or contact HPPI. Safety notes in the manual will inform you about possible risks that result from any foreseeable application of our products. Changes of this data-sheet are reserved.